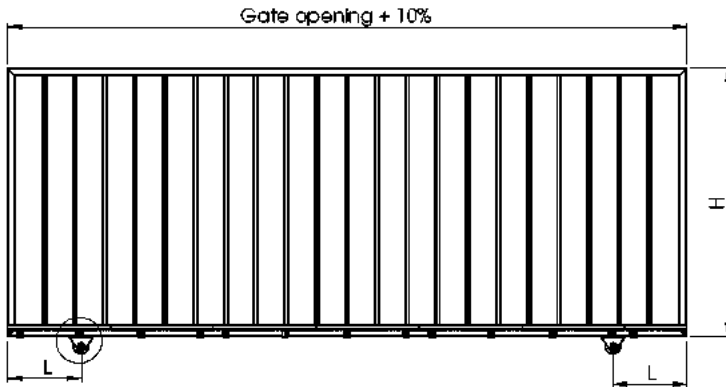
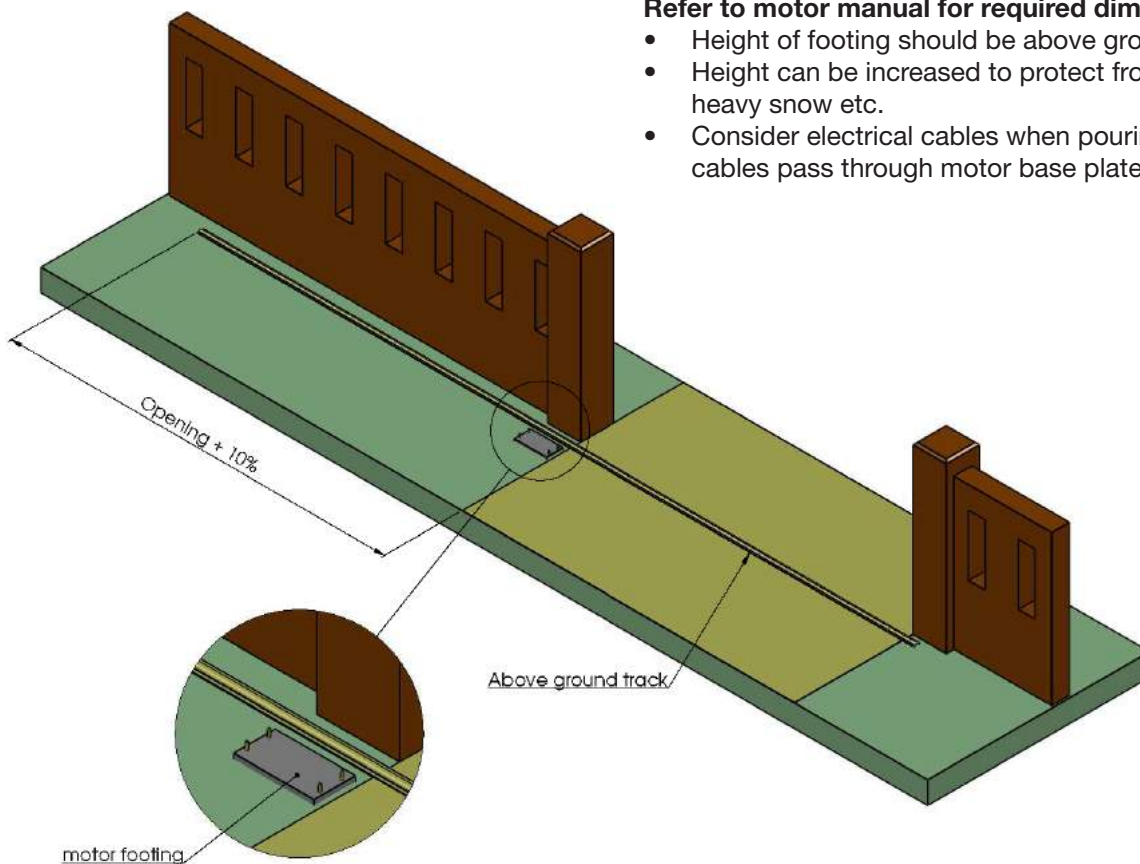


Gate Frame Dimensions



- The length of the gate should roughly 10% greater than the size of the opening.
- When designing remember to include the height of the track wheels in the overall height (see track wheel options below).
- The weight of the frame should be considered to ensure the motor is not overloaded.

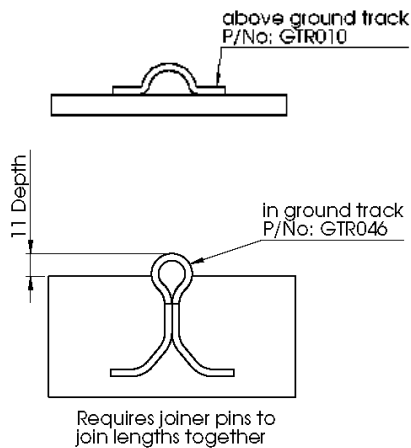
Motor Footing



Refer to motor manual for required dimensions.

- Height of footing should be above ground level.
- Height can be increased to protect from flooding, heavy snow etc.
- Consider electrical cables when pouring footing as cables pass through motor base plate.

Track Options



Option 1 - Above Ground Track

- Bolted to the surface.
- Can be fitted to an existing driveway.
- Requires a flat smooth surface.

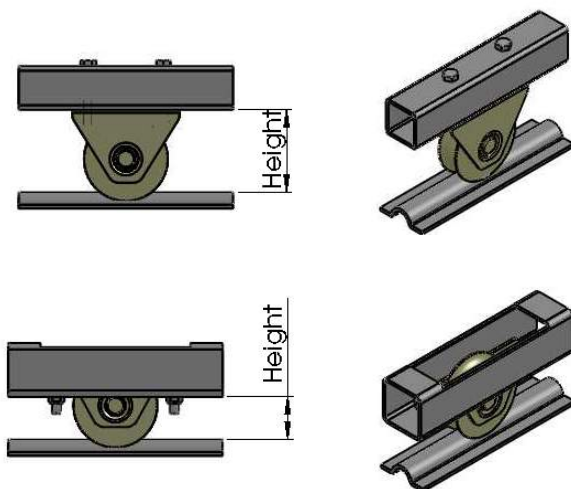
GTR010

Option 2 - In Ground Track

- Set into concrete when being poured.
- Lengths can be joined together with joiner pins.

GTR046

Track Wheel Options



Option 1 - Bottom Mount Track Wheels

- Bolted flat to the bottom of the gate.
- Easy to install.

GTR001 & GTR002

Option 2 - Recessed Track Wheels

- Mounts recessed into the bottom of the gate.
- Reduces the height of the gate.
- Requires cutouts in frame.

GTR003, GTR004 & GTR005

Motor Power Options

Motor Configuration 1 - 240VAC

- Hard wired to mains power.
- Requires an electrician to install.

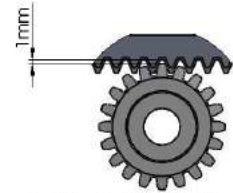
Motor Configuration 2 - 24VDC

- Installed with 2 x 12V batteries.
- Add solar accessories for solar operation.

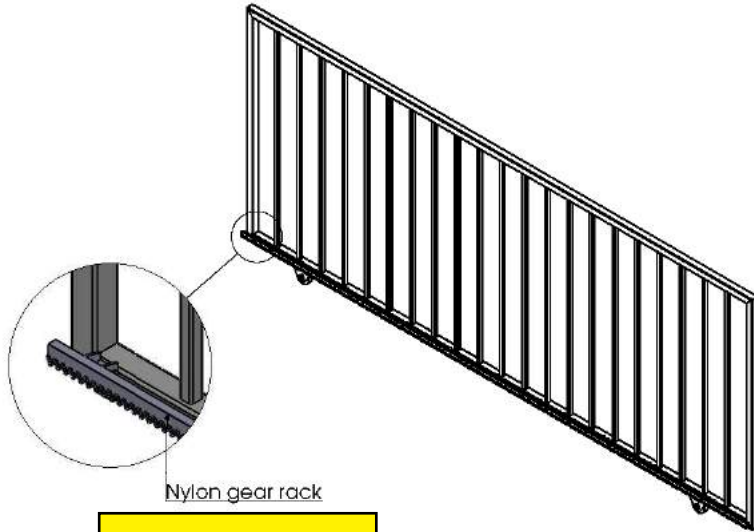
Gate Motor - GTR060

Configuring the Gear Rack and Motor Pinion

- The position of the gear rack will need to be matched to the height of the motor drive pinion when motor is mounted in place.
- Multiple lengths of gear rack can be used.
- The gear rack and motor pinion must be the same pitch.

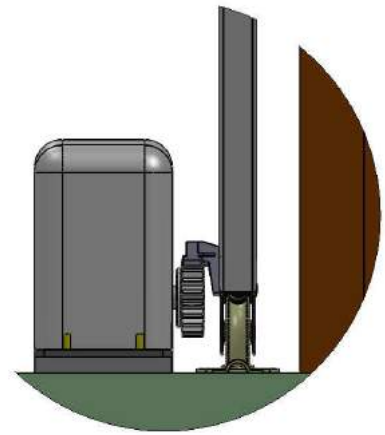


Set height of gear rack and motor sprocket with 1mm gap as shown

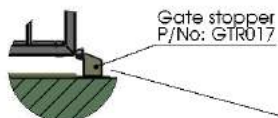


Nylon gear rack

GTR020

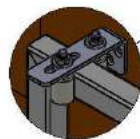


Stoppers and Guides



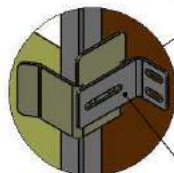
Gate stopper
P/No: GTR017

GTR017



Roller guide

GTR015



Off set bracket

Gate end stop

GTR019

